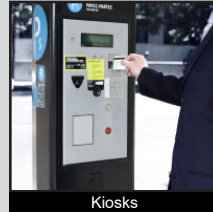


# LB22 SERIES PUSHBUTTON SWITCH

ANTI-VANDAL SWITCHES  
DETECTOR SWITCHES  
DIP SWITCHES  
KEYLOCK SWITCHES  
NAVIGATION SWITCHES  
PUSHBUTTON SWITCHES  
ROCKER SWITCHES  
ROTARY SWITCHES  
SLIDE SWITCHES  
SNAP ACTION SWITCHES  
TACTILE SWITCHES  
TOGGLE SWITCHES  
CAP OPTIONS



## APPLICATIONS / MARKETS



**RoHS**

## SPECIFICATIONS

**Electrical Rating:** 3A @ 250VAC  
**Electrical Life:** 50,000 Cycles  
**Contact Resistance:** 50mΩ Max. @1A 12VDC (Initial)  
**Insulation Resistance:** 1,000 MΩ Min. @ 500VDC  
**Dielectric Strength:** 2,000VAC  
**Operating/Storage Temperature:** -20°C to 55°C  
**Travel:** 3.20mm  
**Contacts:** Silver or Gold Plating  
**Contact Arrangement:** SPDT, DPDT  
**Actuation Force:** SPDT: 2.5±1N; DPDT: 3.5±1N  
**Panel Thickness:** 6.0mm MAX.  
**Moisture Protection:** IP65  
**Mounting Nut Torque:** 0.3 - 0.5Nm

## FEATURES & BENEFITS

- Single pole or double pole functions
- Multiple color options
- Multiple cap color and style options
- Latching or momentary options
- Silver or Gold contact material
- IP65 rated

## PART NUMBER CONFIGURATOR

Series	Actuator Type	Terminal	Function	Contact Material	Actuator Color	Lens Style	LED Color	Illumination Voltage
LB22	F = Flat	2 = Solder Lug	3 = 1P ON-ON B = 1P ON-(ON) G = 2P ON-ON H = 2P ON-(ON)	Q = Silver R = Gold	0 = Transparent Clear 1 = Transparent Red 3 = Transparent Green 4 = Transparent Blue 5 = Transparent Orange 6 = Silver (Power Symbol Illum.) 7 = Silver (Non Illum.)	NONE = Non-Illuminated 1 = Full Illumination 5 = Power Symbol Illuminated (Silver Actuator only)	NONE = Non-Illuminated 0 = White 1 = Red 3 = Green 4 = Blue 5 = Yellow	NONE = Non-Illuminated 1 = 3V 3 = 6V 4 = 12V 5 = 24V 6 = 110V 7 = 220V

NOTES:  
1) (ON) Denotes function is momentary.

Specifications subject to change without notice 10.4.2022



**E-SWITCH®**

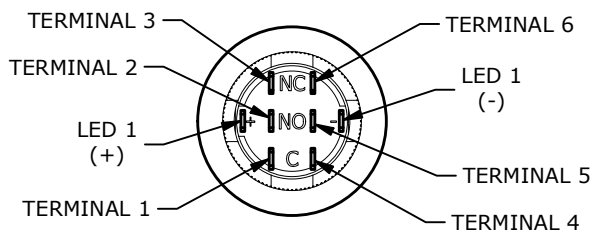
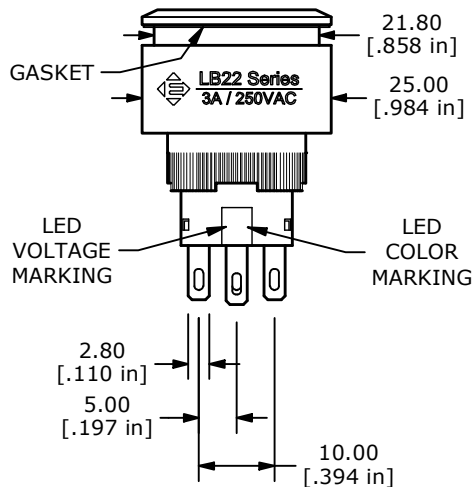
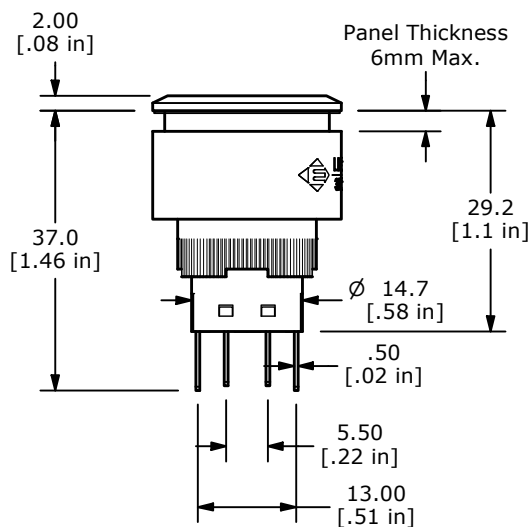
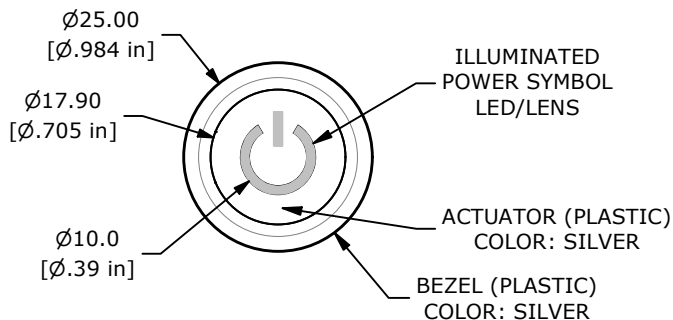
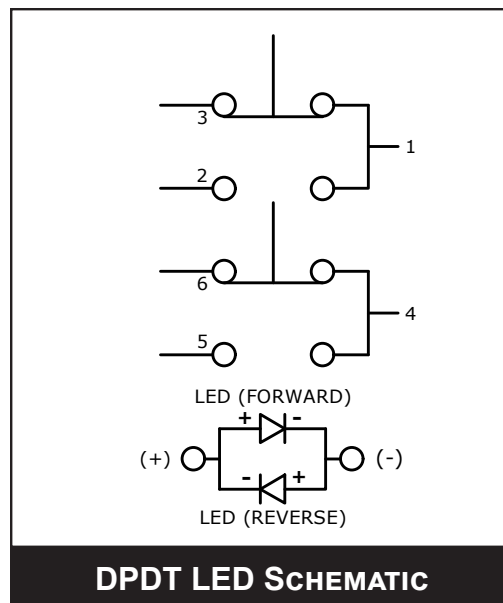
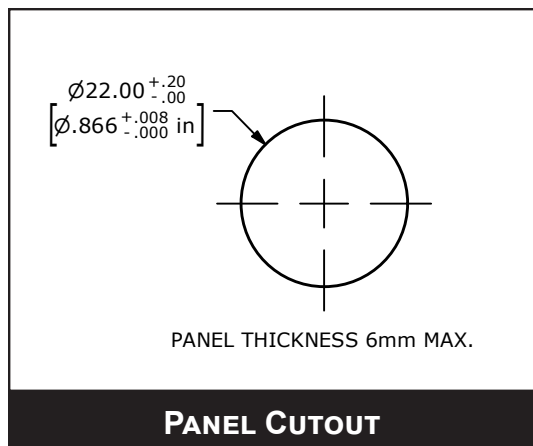
www.e-switch.com

800.867.2717

1

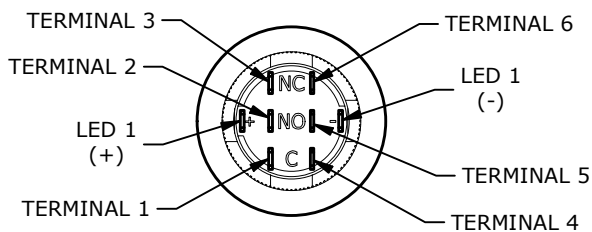
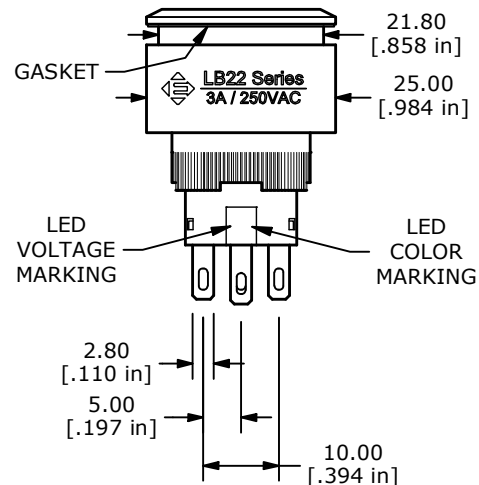
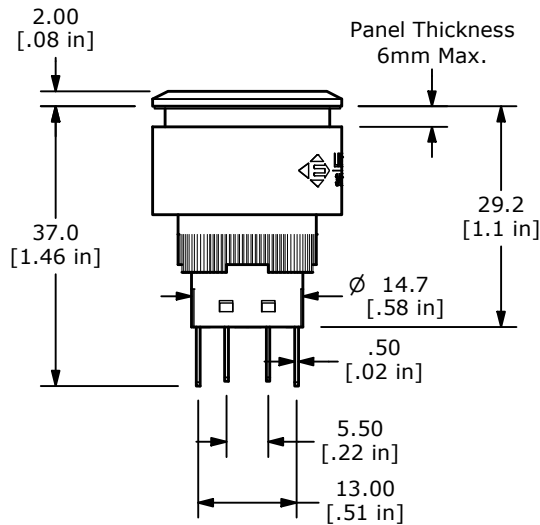
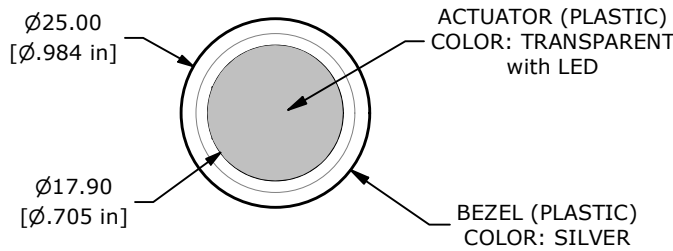
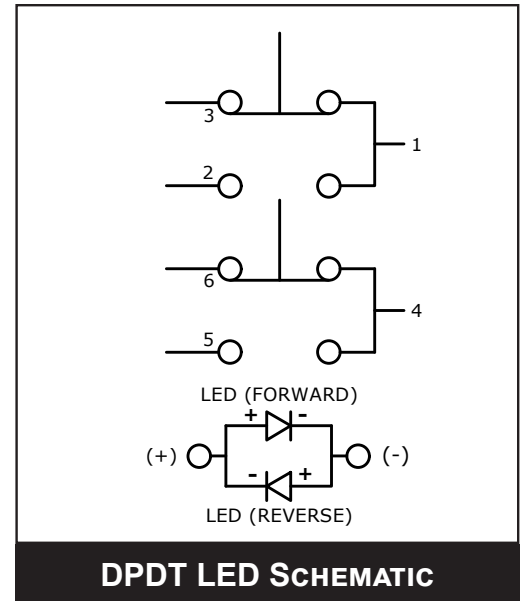
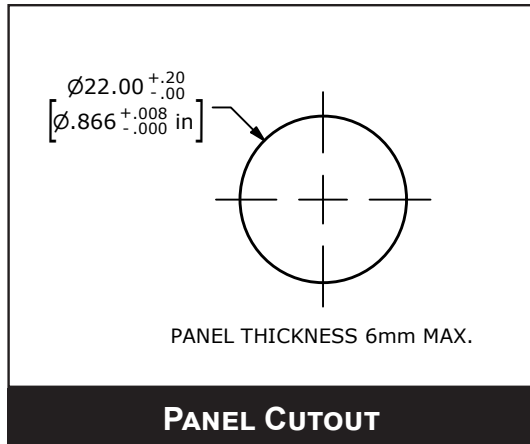
# LB22 SERIES PUSHBUTTON SWITCH

## BODY DIMENSIONS LED POWER SYMBOL



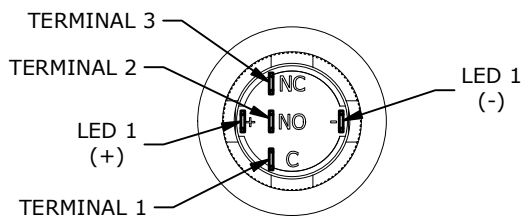
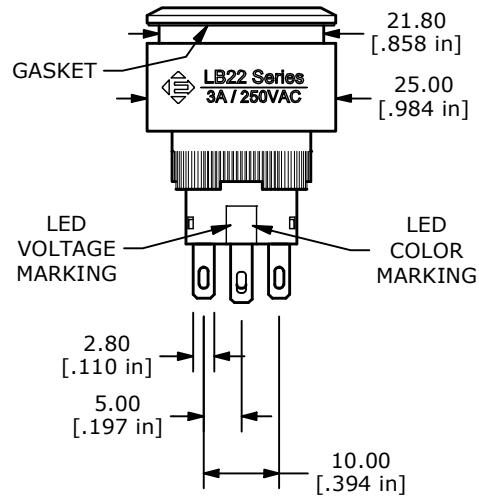
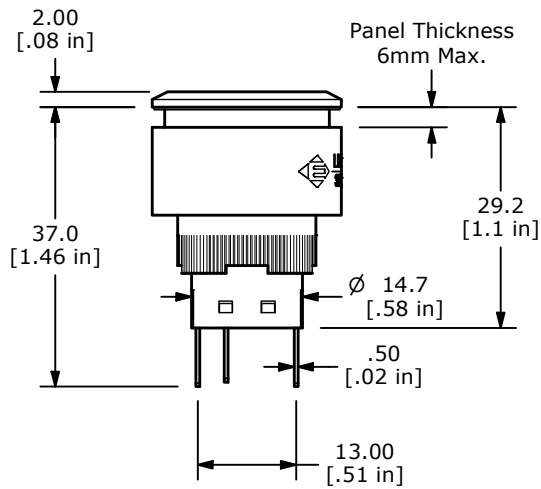
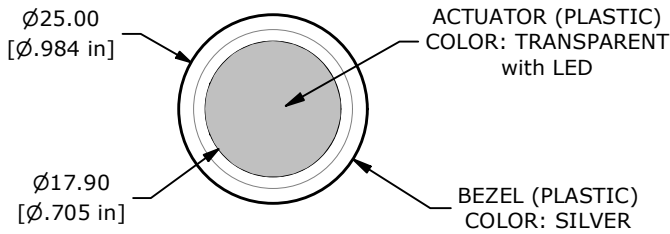
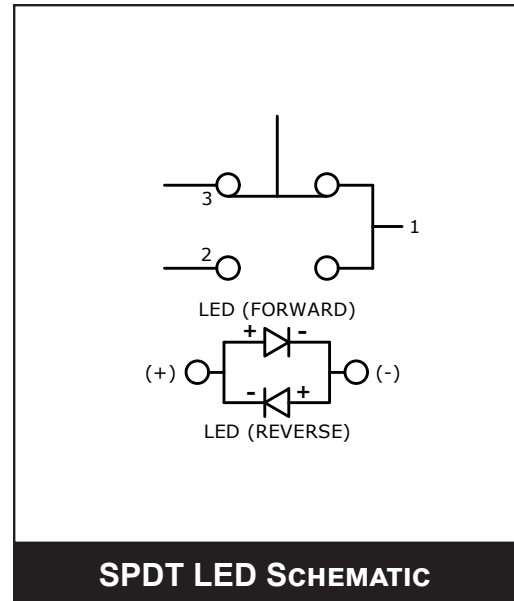
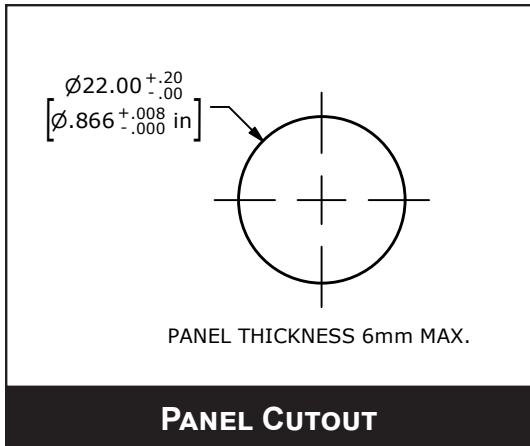
# LB22 SERIES PUSHBUTTON SWITCH

## BODY DIMENSIONS FULL ILLUMINATION



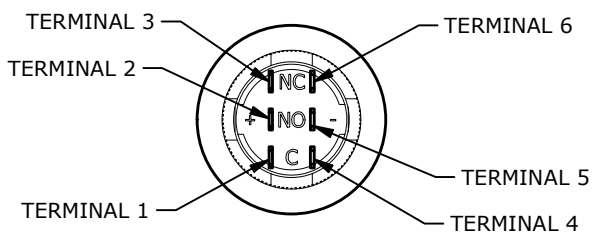
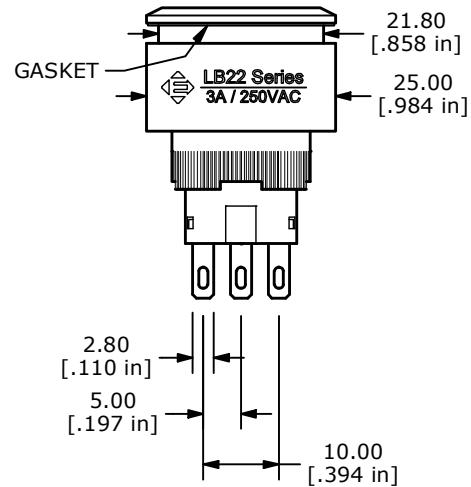
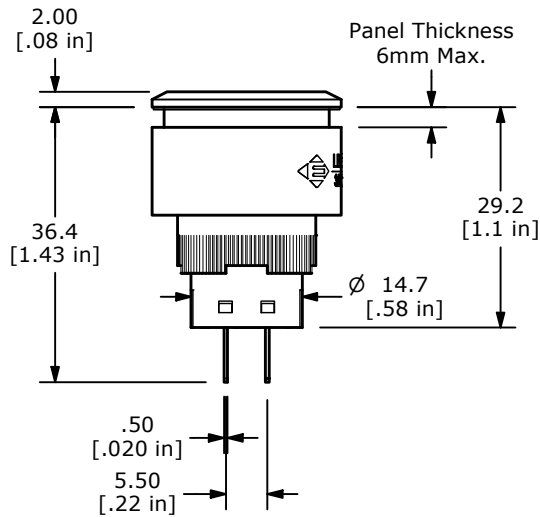
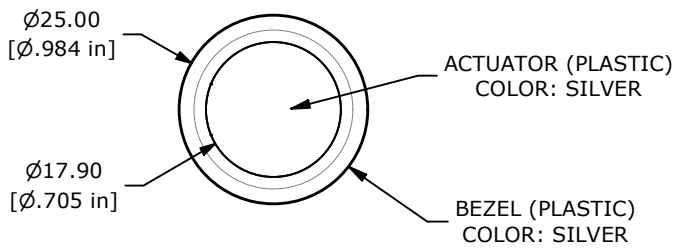
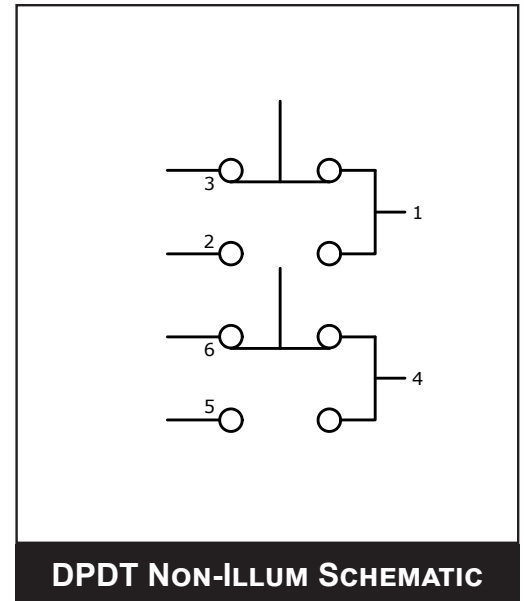
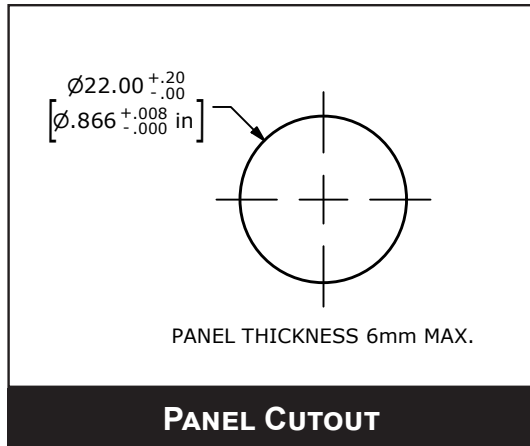
# LB22 SERIES PUSHBUTTON SWITCH

## BODY DIMENSIONS FULL ILLUMINATION



# LB22 SERIES PUSHBUTTON SWITCH

## BODY DIMENSIONS NON-ILLUMINATED



# LB22 SERIES PUSHBUTTON SWITCH

## BODY DIMENSIONS NON-ILLUMINATED

